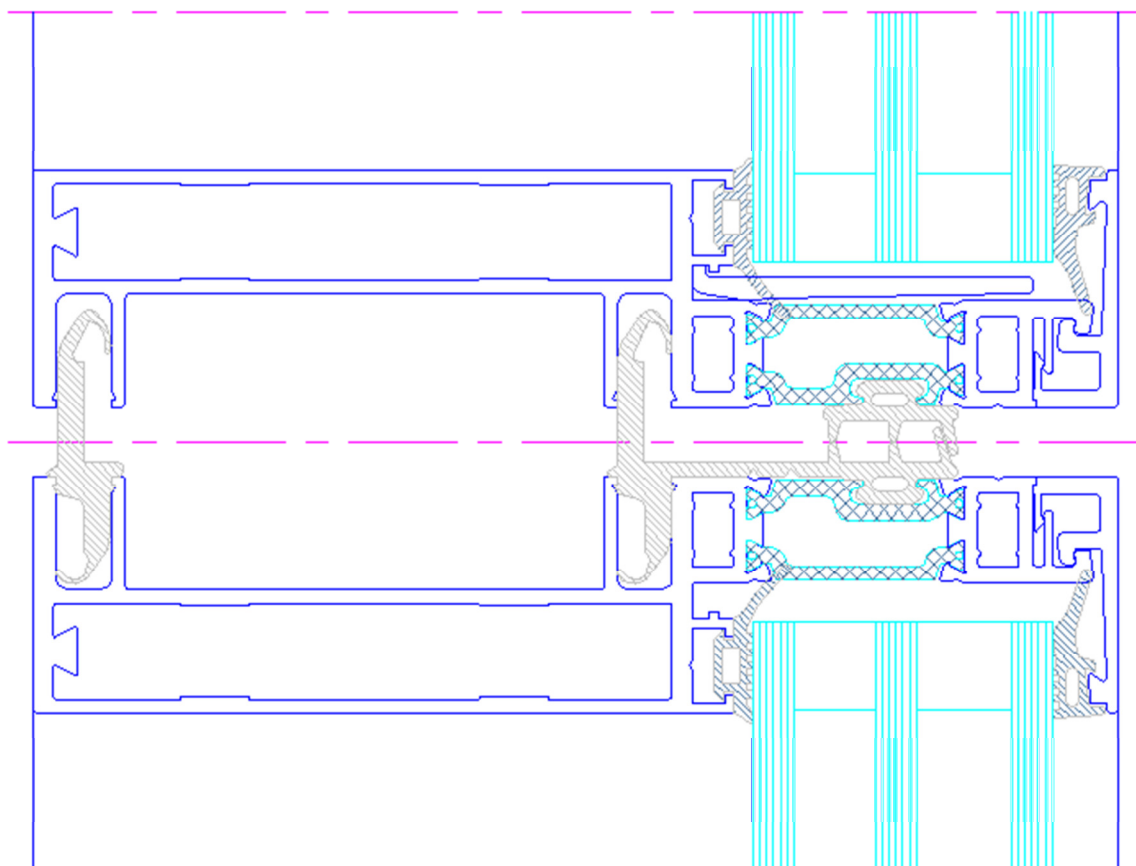


NOKIAN **PROFILIT**



E80

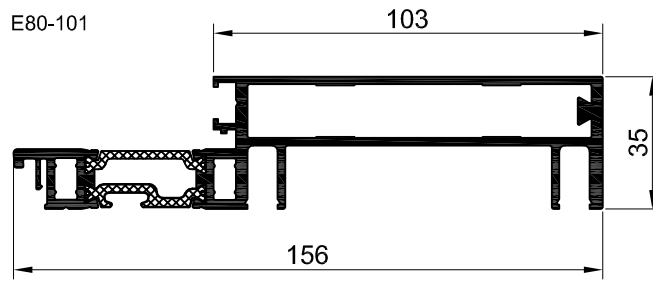
Elementtijärjestelmä



2.2.2011

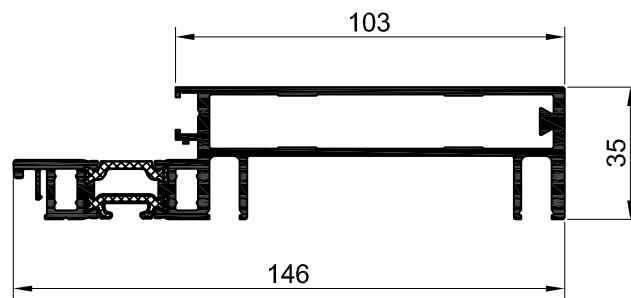
OUTER FRAME

E80-101



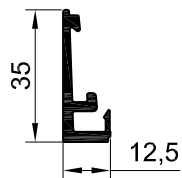
OUTER FRAME

E80-103



GLAZING BEAD

E80-105



E 80

Profiles



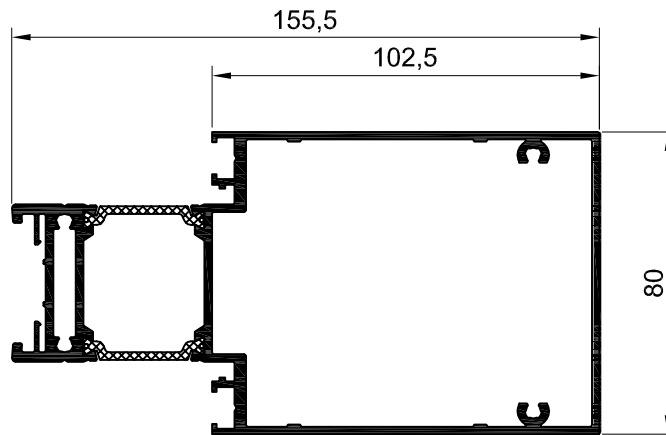
2.2.2011

1

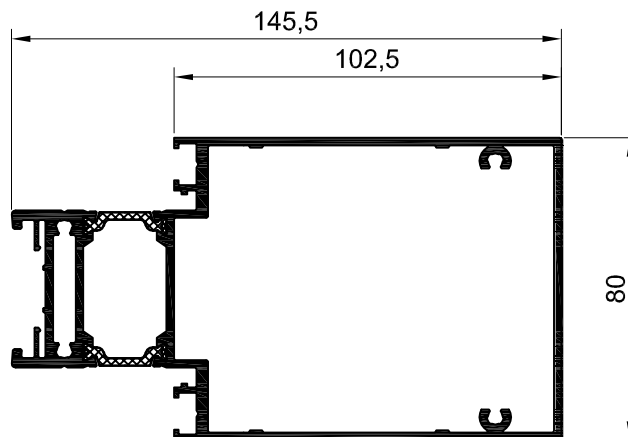
1.1

1:2

TRANSOM
E80-102



TRANSOM
E80-104



E 80

Profiles



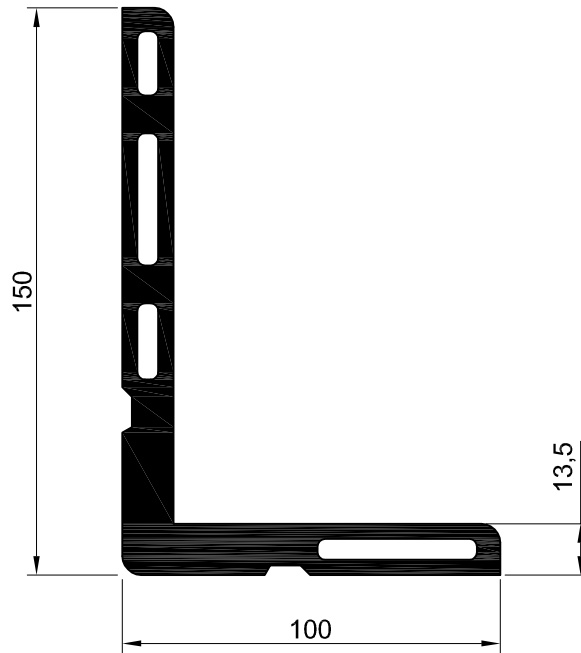
2.2.2011

1

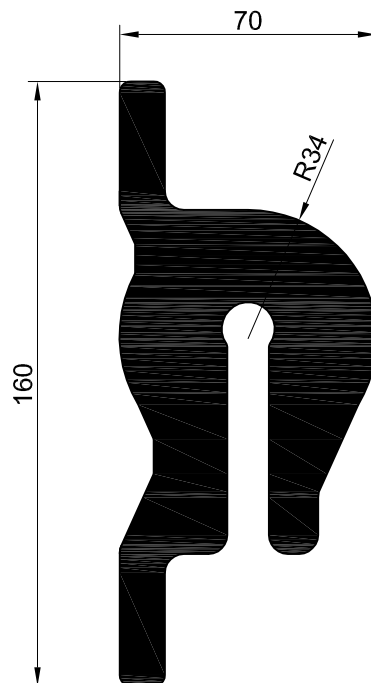
1.2

1:2

CORNER CLEAT
E80-201



BRACKET
E80-202



E 80

Profiles



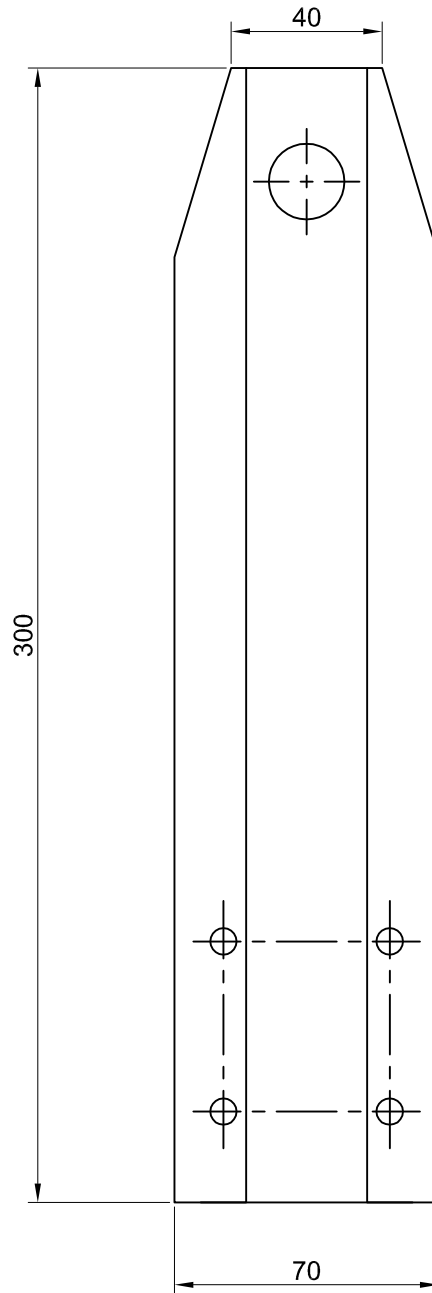
2.2.2011

1:2

1

1.3

CONNECTION PIECE
E80-203



E 80

Profiles



2.2.2011

1

1.4

1:2



8003
Inner gasket
EPDM



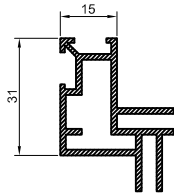
8005
Inner gasket
EPDM



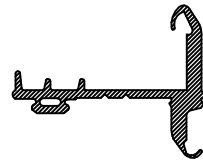
8008
Inner gasket
EPDM



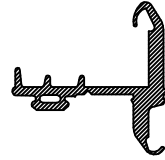
8001
Outer gasket
EPDM



R54-KJL
Frame profile
plastic



8013
linking gasket
EPDM



8012
linking gasket
EPDM



8011
Linking gasket
EPDM



8010
Gasket
EPDM



8014
Linking gasket
EPDM

E 80

2

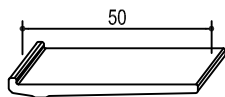
Accessories



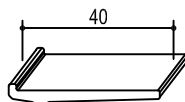
2.2.2011

2.1

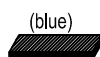
1:2



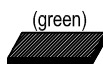
R54-LT50
Glass support piece
L=100 mm



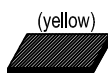
R54-LT40
Glass support piece
L=100 mm



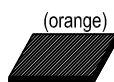
(blue)
R54-K26
Glazing pad



(green)
R54-K32
Glazing pad



(yellow)
R54-K42
Glazing pad



(orange)
R54-K48
Glazing pad

E 80

2

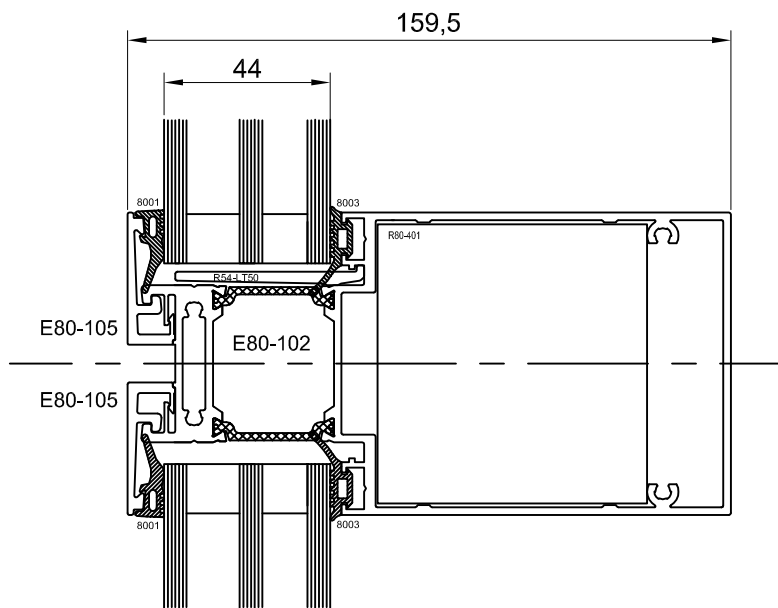
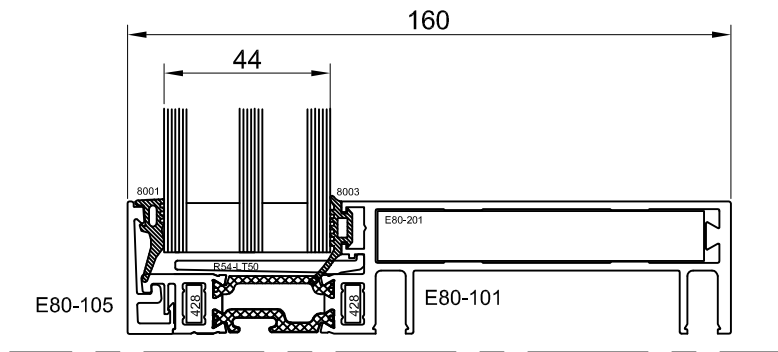
Accessories



2.2.2011

2.2

1:2



E 80

3

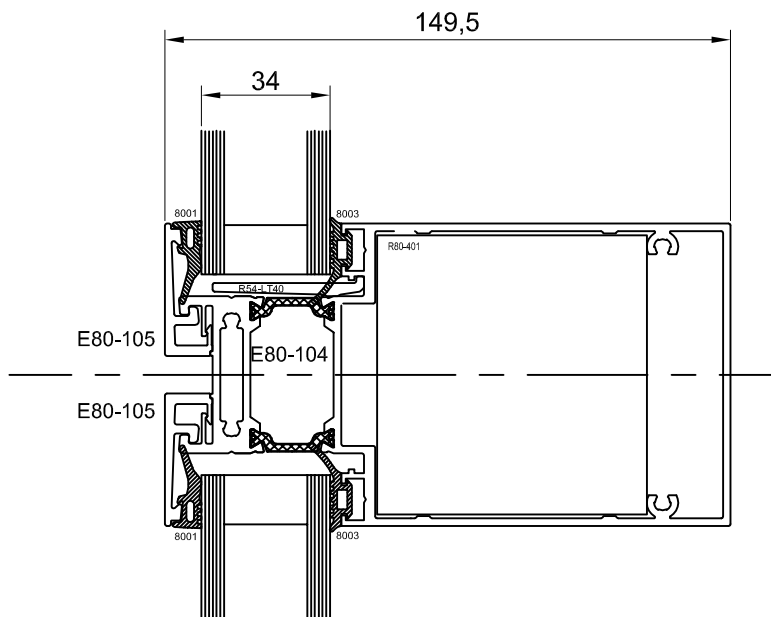
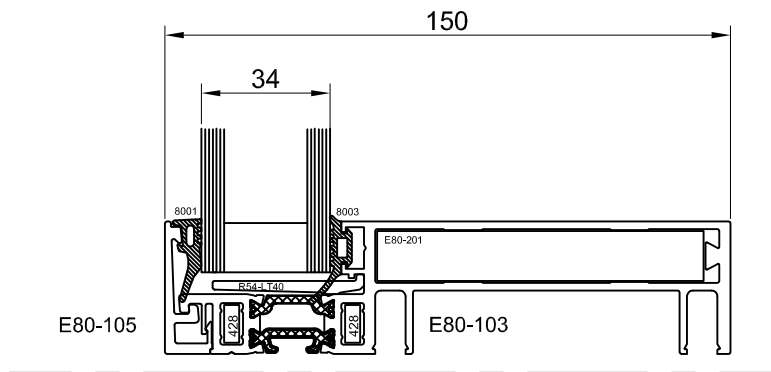
Section drawings

2.2.2011



3.1

1:2



E 80

3

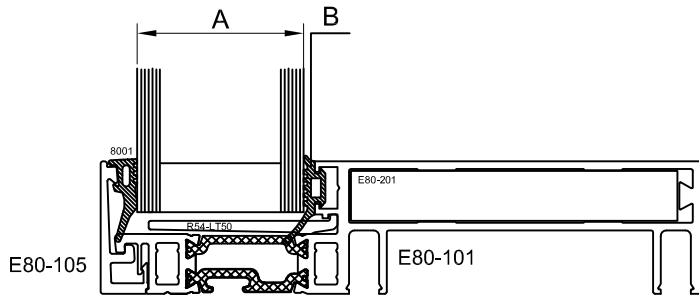
Section drawings

2.2.2011

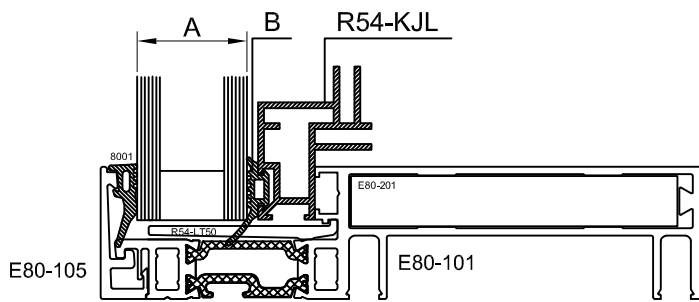


3.2

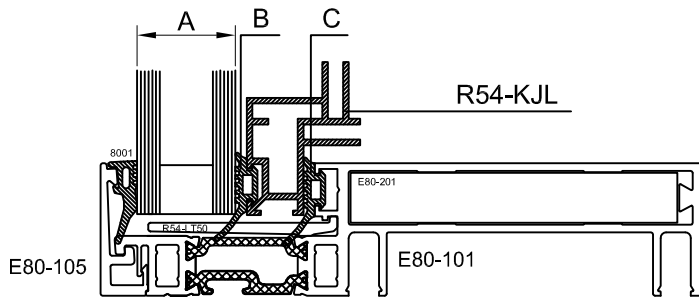
1:2



A	B
Glass	Gasket
44mm	8003
42mm	8005
39mm	8008



A	B
Glass	Gasket
29mm	8003
27mm	8005
24mm	8008



A	B	C
Glass	Gasket	Gasket
26mm	8003	8003
24mm	8005	8003
22mm	8005	8005
21mm	8008	8003
19mm	8008	8005
16mm	8008	8008

E 80

3

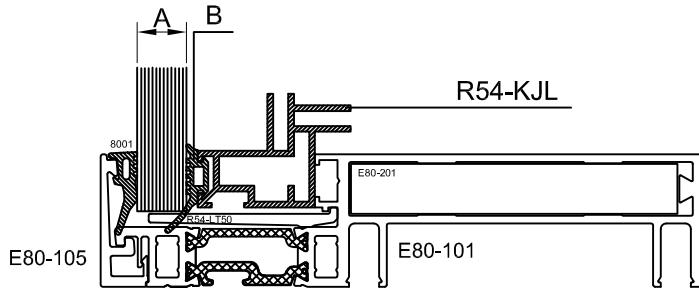
Section drawings

2.2.2011

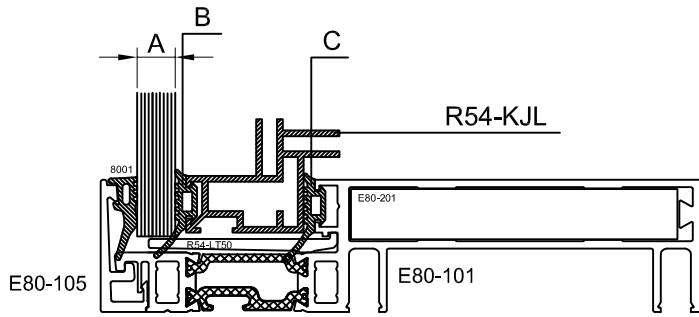


3.3

1:2



A	B
Glass	Gasket
13mm	8003
11mm	8005
8mm	8008



A	B	C
Glass	Gasket	Gasket
10mm	8003	8003
8mm	8005	8003
6mm	8005	8005
5mm	8008	8003

E 80

3

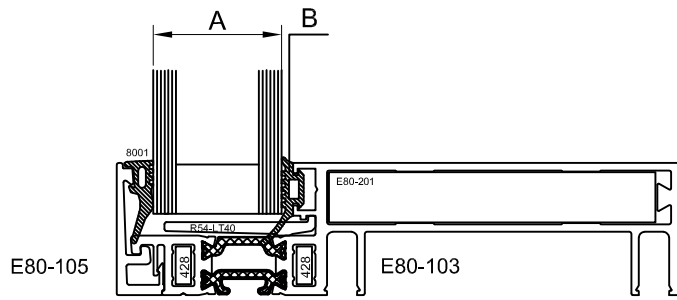
Section drawings

2.2.2011

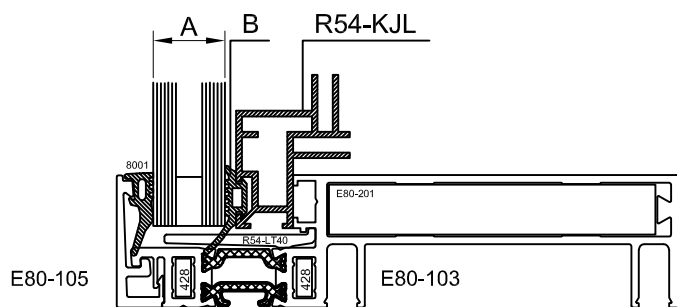


3.4

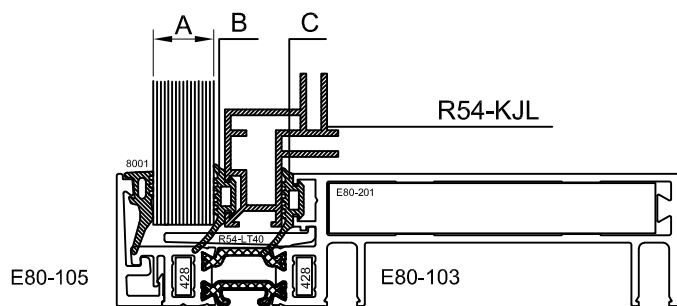
1:2



A	B
Glass	Gasket
34mm	8003
32mm	8005
29mm	8008



A	B
Glass	Gasket
19mm	8003
17mm	8005
14mm	8008



A	B	C
Glass	Gasket	Gasket
16mm	8003	8003
14mm	8005	8003
12mm	8005	8005
11mm	8008	8003
9mm	8008	8005
6mm	8008	8008

E 80

3

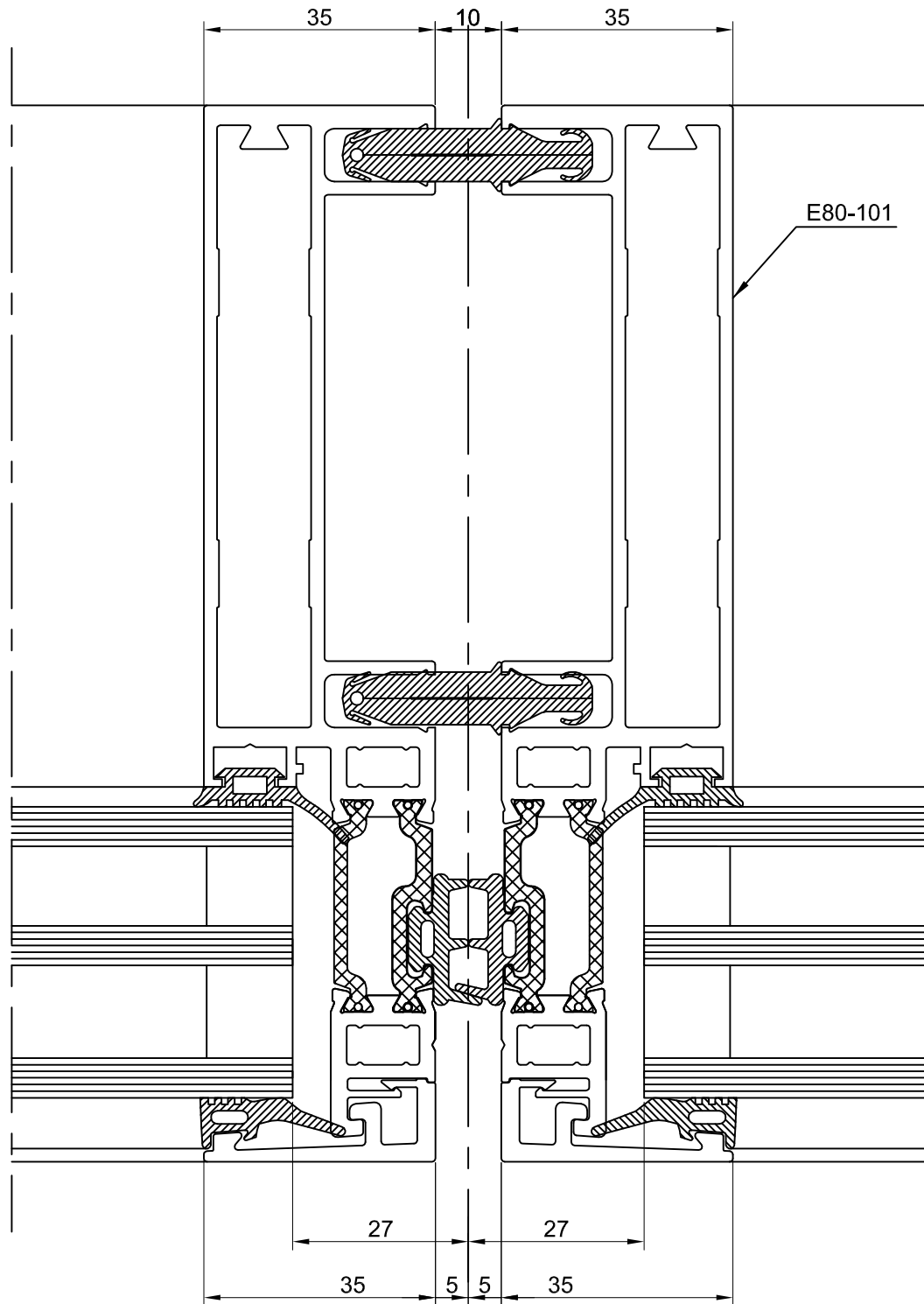
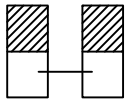
Section drawings

2.2.2011



3.5

1:2



E 80

3

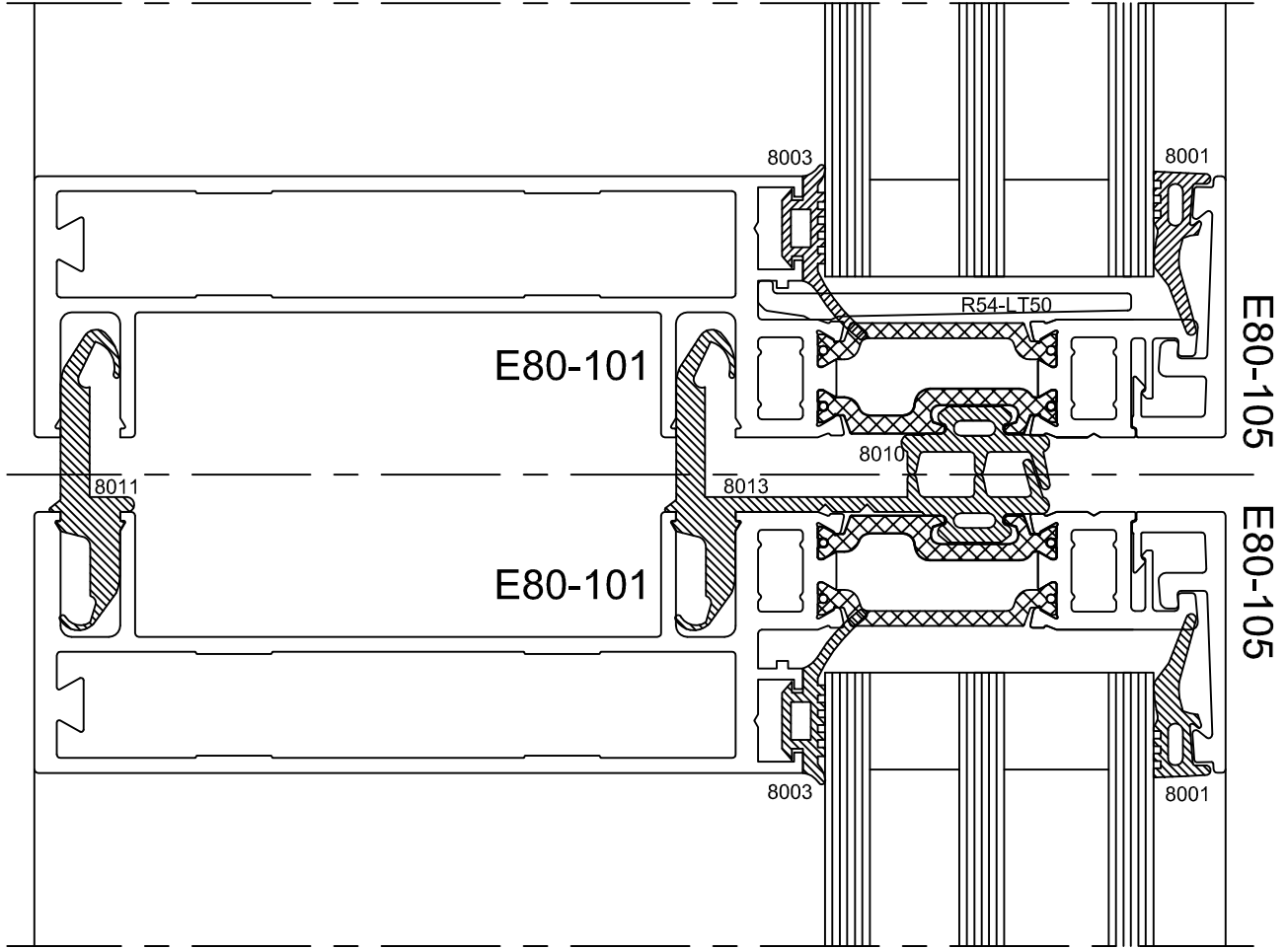
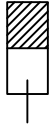
Section drawings

2.2.2011



3.6

1:2



E 80

3

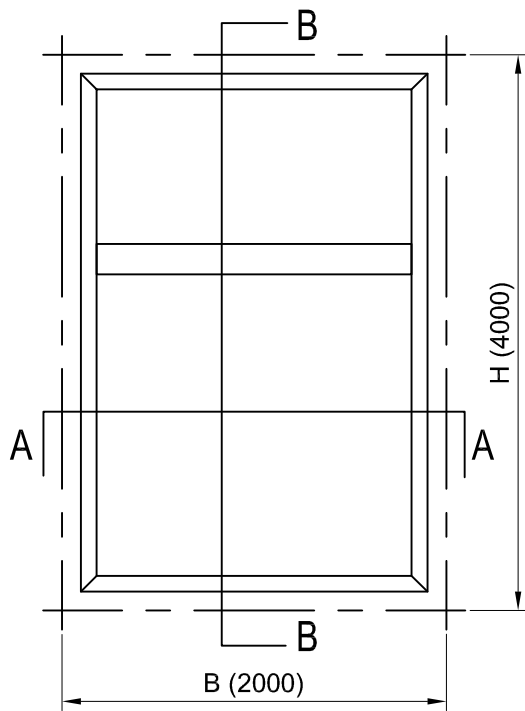
Section drawings

2.2.2011



3.7

1:2

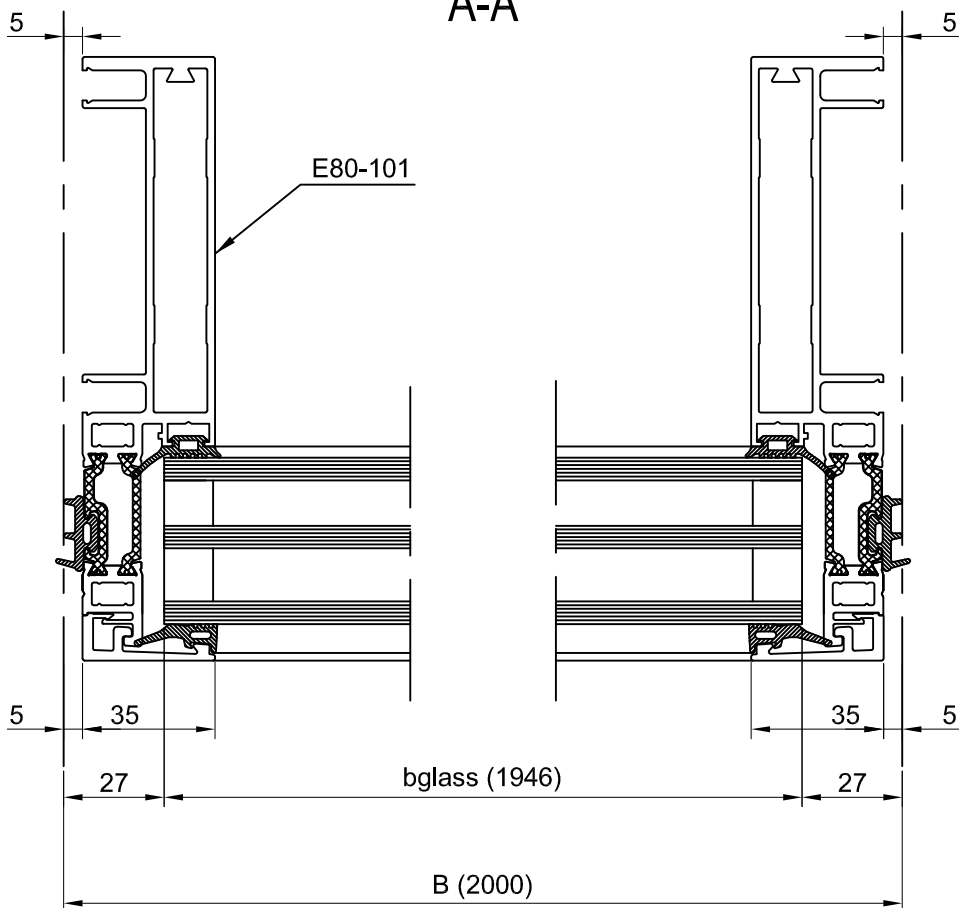


Glass dimensions:

$b_{\text{glass}}=B-54$

$h_{\text{glass}}=H-54$

A-A



E 80

4

Work drawings

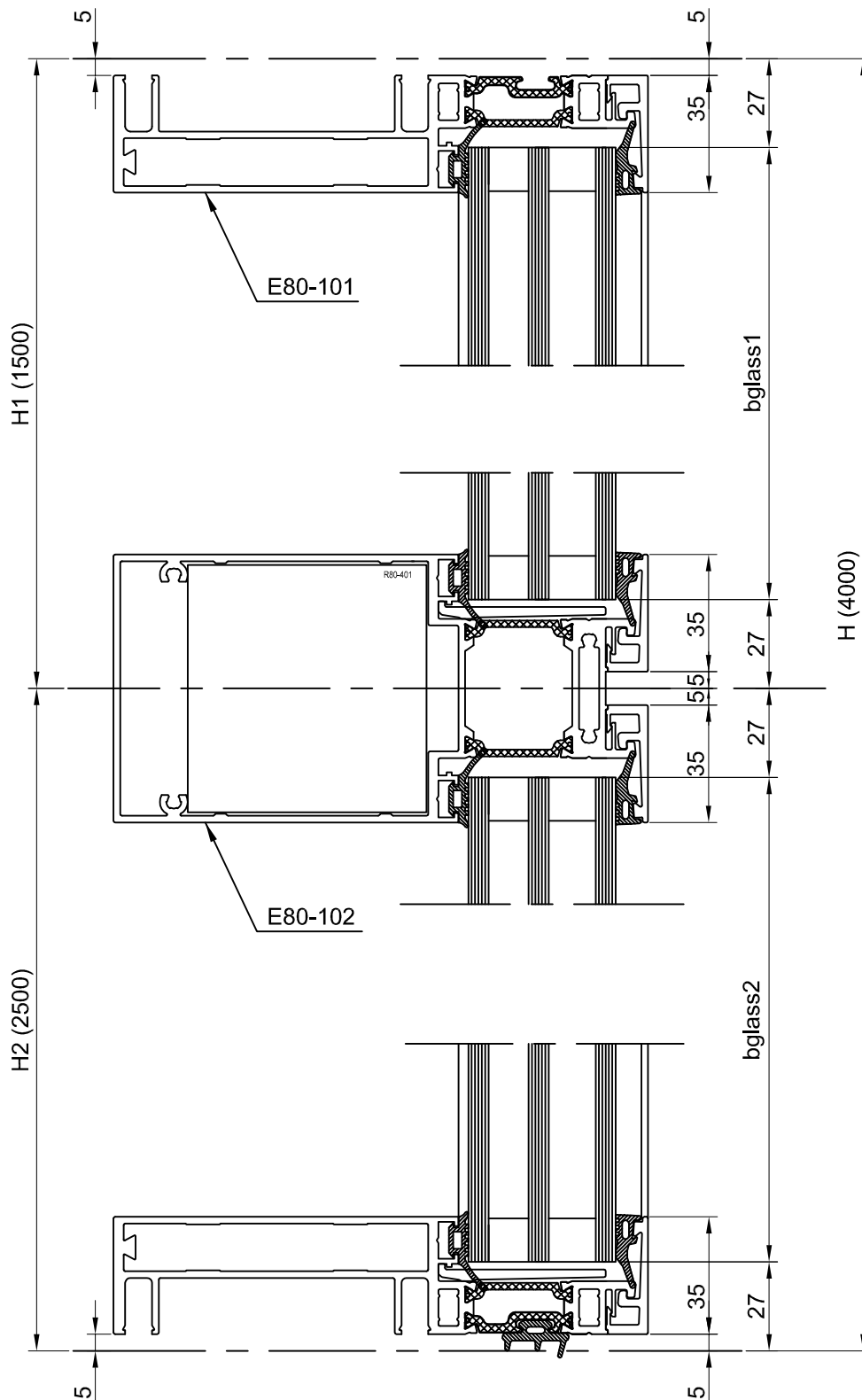


2.2.2011

4.1

1:2

B-B



E 80

4

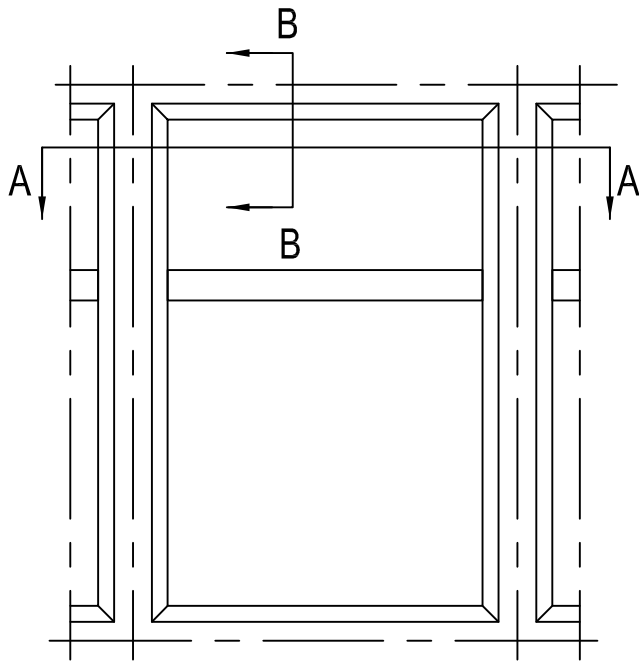
Work drawings



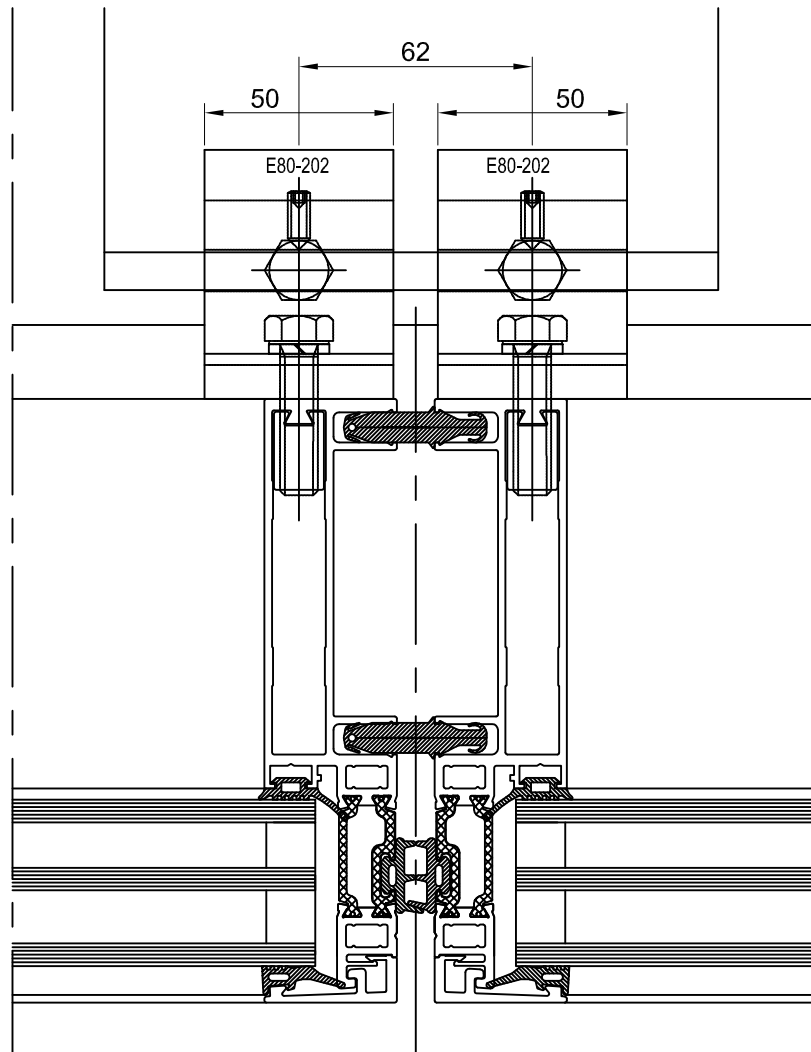
2.2.2011

4.2

1:2



A-A



E 80

5

Assembly drawings

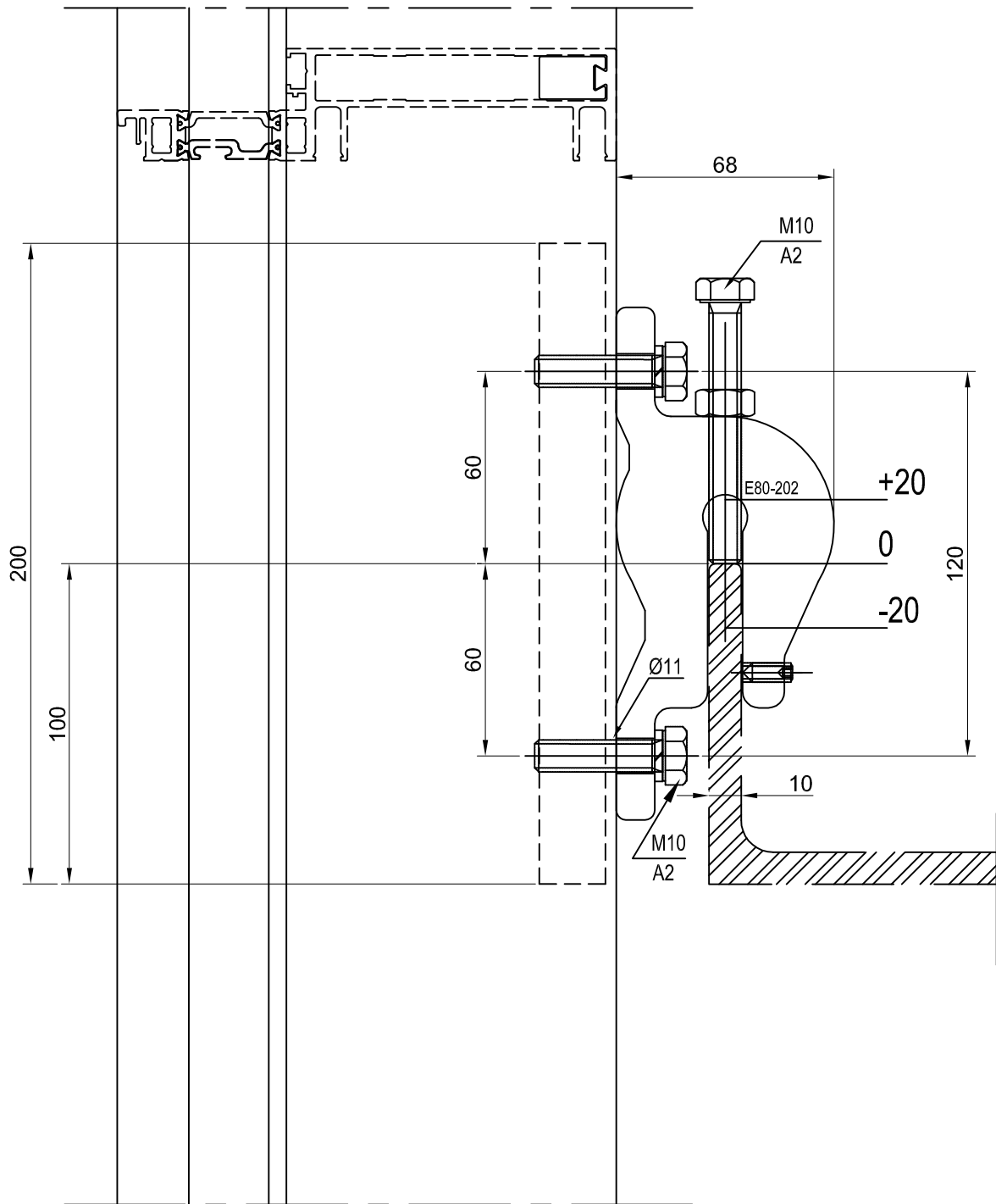


2.2.2011

5.1

1:2

B-B



E 80

5

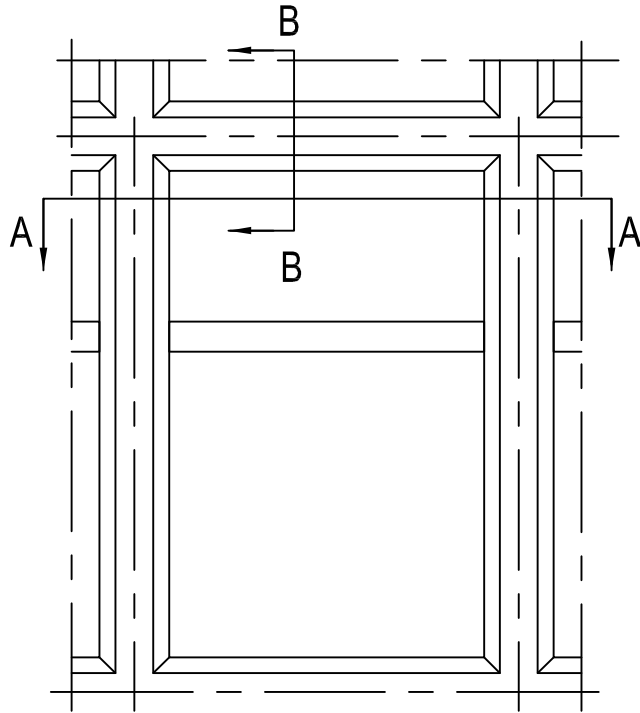
Assembly drawings



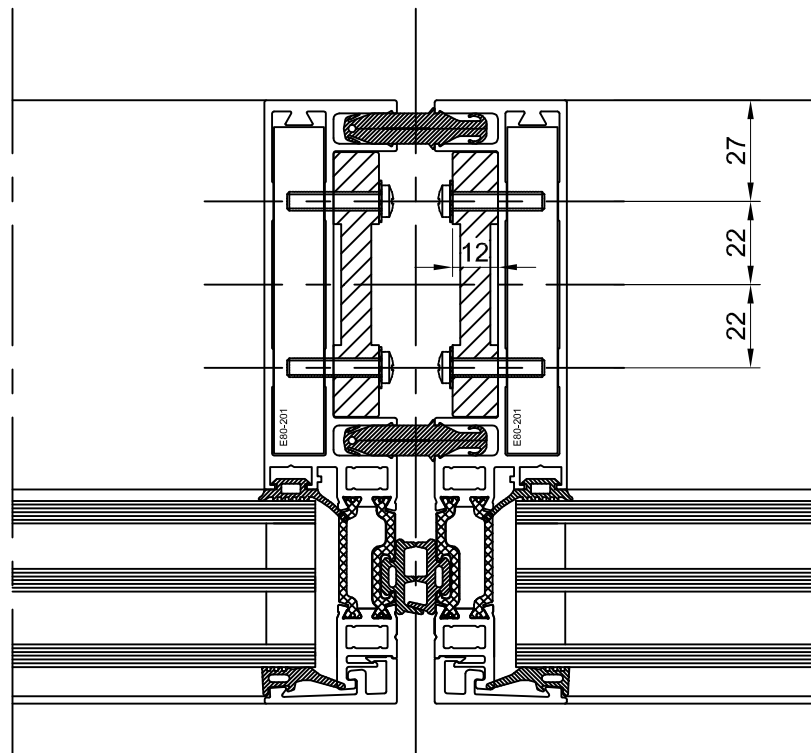
2.2.2011

5.2

1:2



A-A



E 80

5

Assembly drawings

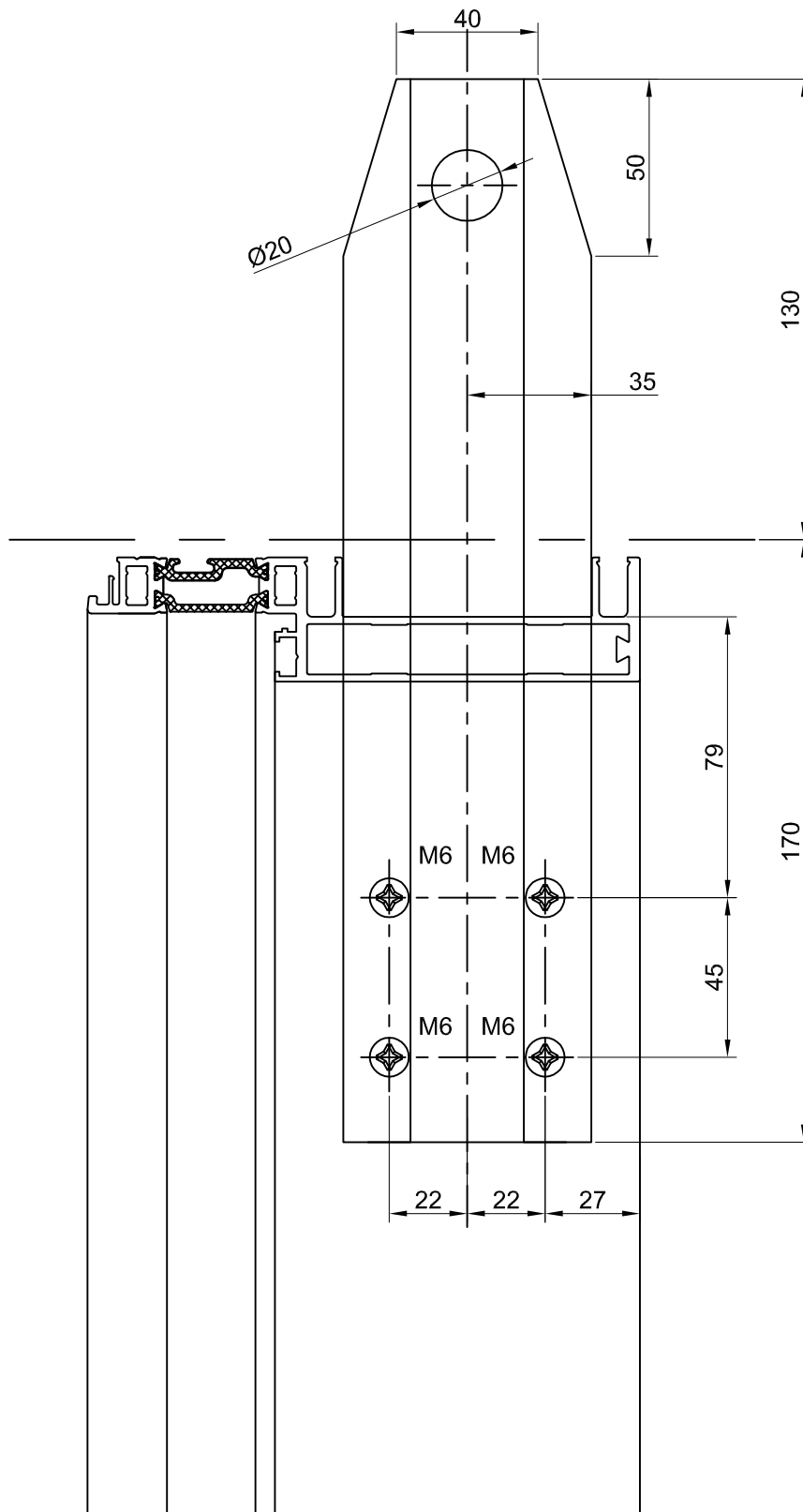
2.2.2011



5.3

1:2

B-B



E 80

5

Assembly drawings



2.2.2011

5.4

1:2