

5

R28 FILIA

Index

1

Joints

2

Profiles 1:1

3

Accessories

4

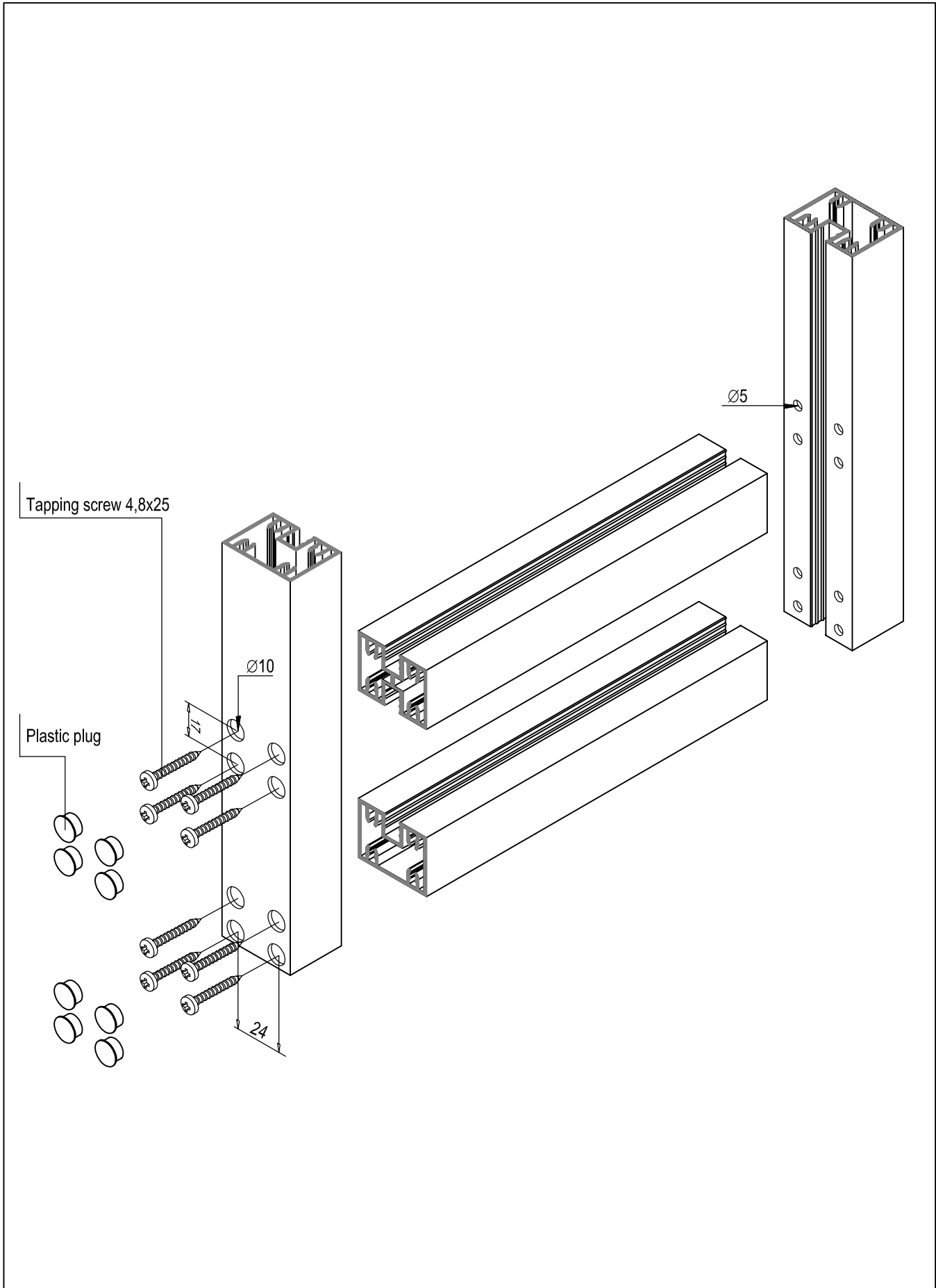
Glazing

5

Sliding door

6

Sliding door with brush sealing



01.07.2014

5

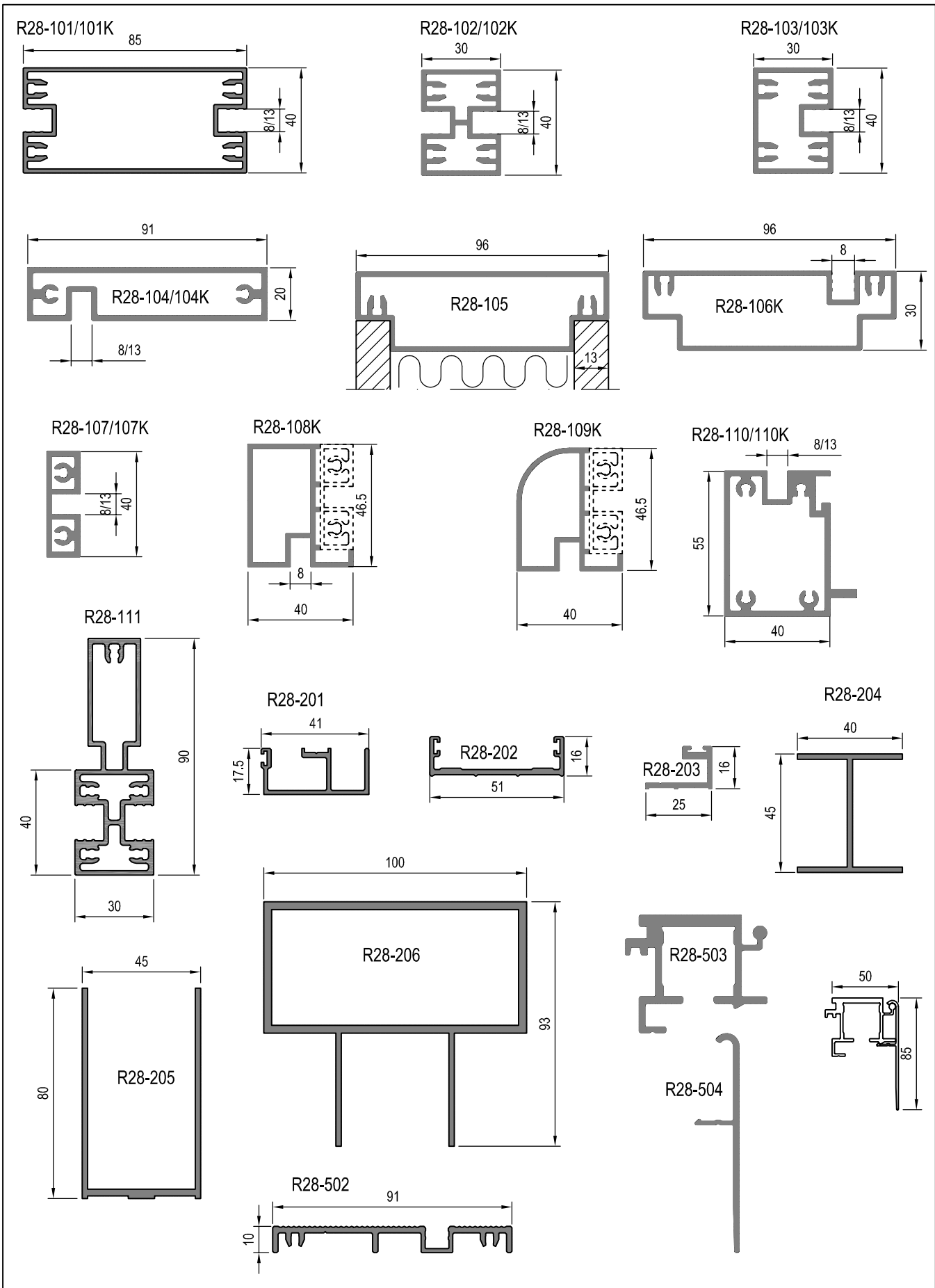
NOKIAN
PROFILES



1

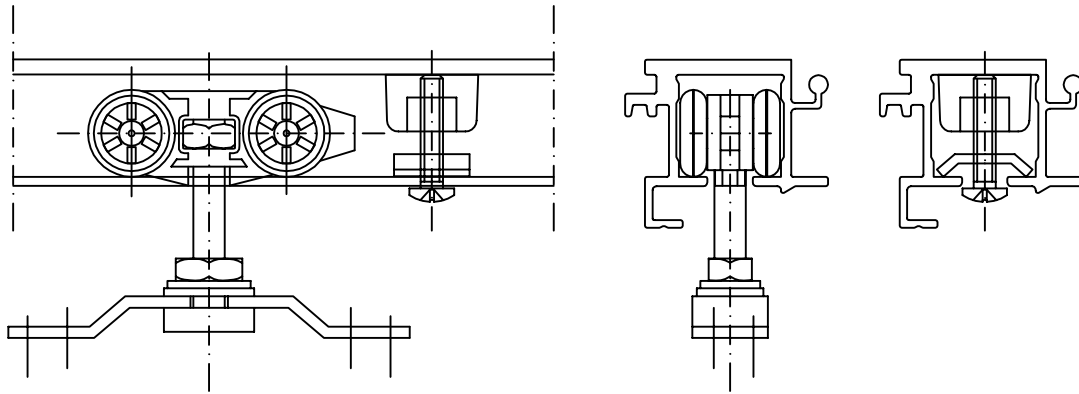
R28 FILIA

Connection










R28 FILIA

R28-753 (roller of sliding door)

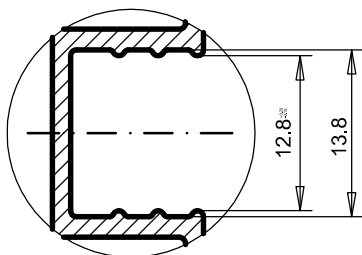


Gaskets

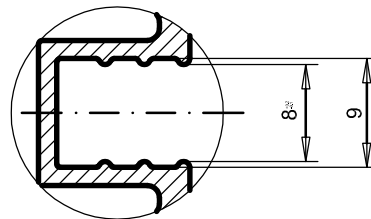
R28-676 (6 mm)		613	
R28-678 (8 mm)			
R28-6710 (10mm)		614	
R28-675K (5 mm)			
R28-676K (6 mm)			

Grooves

"Normal" = 13 mm



"K" = 8 mm



01.07.2014

5

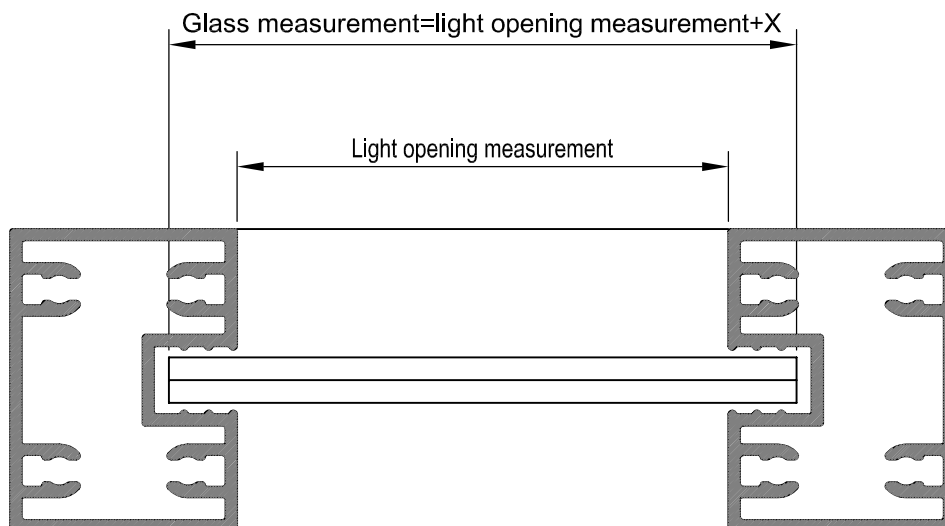
NOKIAN
PROFILES



R28 FILIA

3

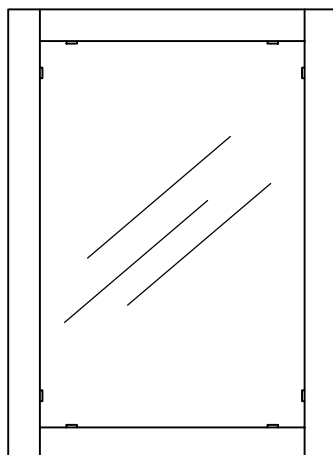
Accessories

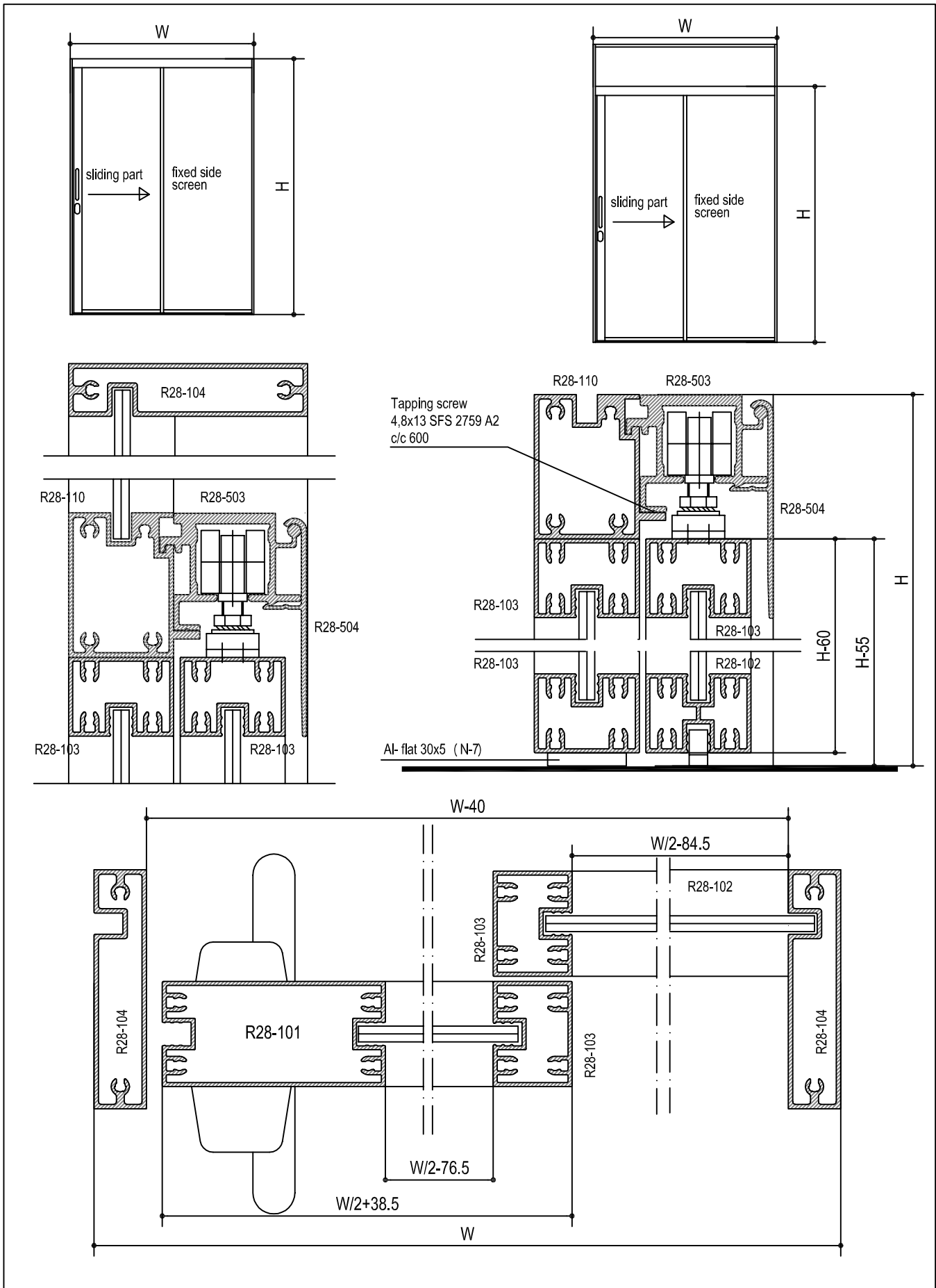


Sealing	X	thickness of glass	Material
R28-676	13	6	EPDM
R28-678	15	8	EPDM
R28-6710	17	10	EPDM
R28-675K	16	5	EPDM
R28-676K	17	6	EPDM

When using mass glazing, the glass is centered by using 20 mm long sealing pieces.

Locating pads in mass glazing





01.07.2014

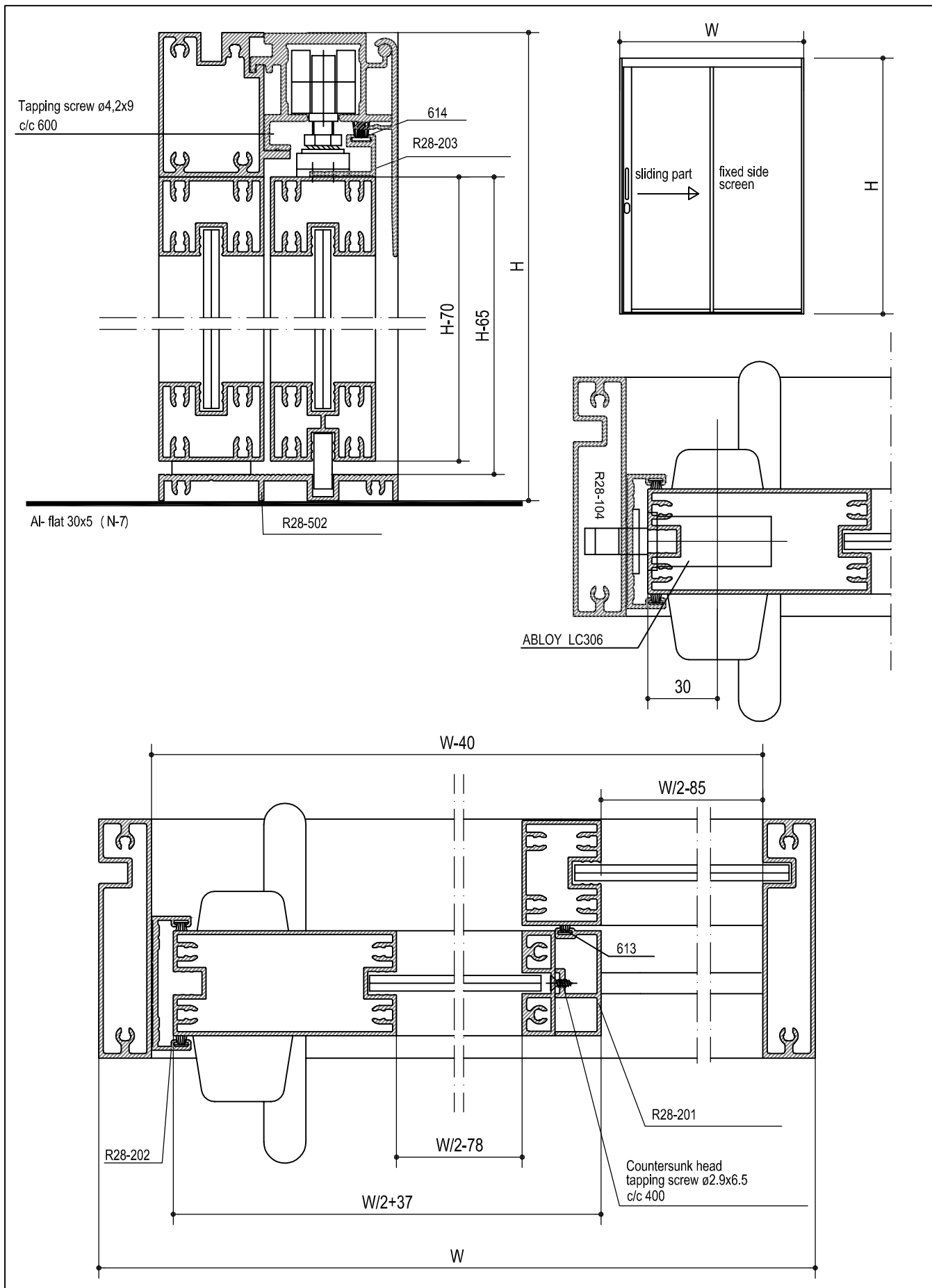
5

NOKIAN
PROFILES

R28 FILIA

5

Sliding door 1:2



R28 FILIA

Sliding door with brush seal 1:2